



## PXS-28XXS-30H Single Output Series High Reliability DC-DC Converters

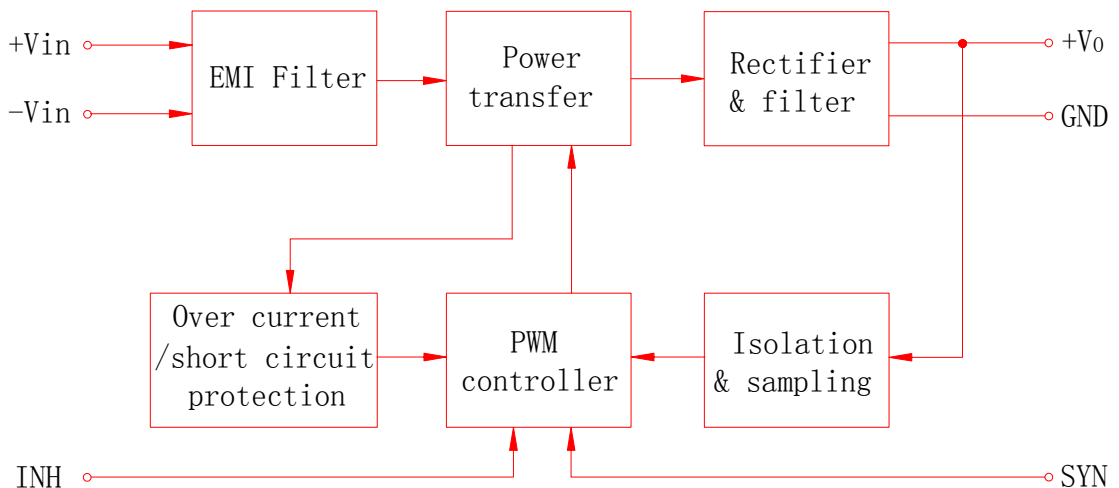
- ❑ High reliability, small size
- ❑ High power density: 31W/in<sup>3</sup>
- ❑ Input voltage range: 16VDC to 40VDC
- ❑ Output power: 20W to 30W
- ❑ Inhibit and synchronization functions
- ❑ Input to output isolation
- ❑ In photoelectric isolation
- ❑ Over current /short circuit protection
- ❑ DIP full metal sealed



### DESCRIPTION:

The PSX28XXS-30 single output series module, which adopts Thick-Film microcircuit technology to provide a high reliability specification necessary for applications both in the industrial and military sectors. The output voltage is 3.3V, 5V, 12V or 15V. The output power ranges from 20 to 30W. The switching frequency is fixed at 265 KHz to minimize noise. The input filter circuit is designed to reduce the electro-magnetic interference. The typical input voltage is 28V, and the ranges from 16V to 40V. PSX28XXS-30 series also provides some control functions such as synchronization, shut down, and over-current and short circuit protection..

### BLOCK DIAGRAM:



## PXS-28XXS-30H Single Output Series High Reliability DC-DC Converters



### ABSOLUTE MAXIMUM RATINGS:

Input Voltage:	16VDC to 40VDC	Output Power:	20 - 30W
Operating Temp(TC) :	-40°C to +85°C	Storage Temp:	-55 °C to +125 °C
Pin-Solder Temp (10S) :	300 °C		

### ELECTRICAL CHARACTERISTICS:

Parameter	Conditions <sup>3</sup>	PXS-283R3S-20			PXS-2805S-25			PXS-2812S-30			PXS-2815S-30			Units
		MIN	TYP	MAX	MIN	TYP	MAX	MIN	TYP	MAX	MIN	TYP	MAX	
OUTPUT VOLTAGE	V <sub>IN</sub> =16 to 40V <sub>DC</sub>	3.27	3.30	3.33	4.95	5.00	5.05	11.88	12.00	12.12	14.85	15.00	15.14	VDC
OUTPUT CURRENT	V <sub>IN</sub> =28 V <sub>DC</sub>	0	—	6.06	0	—	5.0	0	—	2.5	0	—	2.0	A
OUTPUT POWER	V <sub>IN</sub> =28 V <sub>DC</sub>	0	—	20	0	—	25	0	—	30	0	—	30	W
OUTPUT RIPPLE VOLTAGE <sup>1</sup>	20MHz	—	15	40	—	35	50	—	25	50	—	25	50	mV <sub>pp</sub>
	-55□ to 105□	—	—	50	—	50	90	—	40	90	—	40	90	
LINE REGULATION	V <sub>IN</sub> =16 to 40V <sub>DC</sub>	—	5	10	—	10	30	—	10	30	—	10	30	mV
	-55□ to 105□	—	—	30	—	15	50	—	15	50	—	15	50	
LOAD REGULATION	V <sub>IN</sub> =28 V <sub>DC</sub>	—	2	10	—	5	30	—	5	30	—	5	30	mV
	-55□ to 105□	—	—	30	—	15	50	—	15	50	—	15	50	
INPUT VOLTAGE	Continuous	16	28	40	16	28	40	16	28	40	16	28	40	V
	50V/50ms	—	—	50	—	—	50	—	—	50	—	—	50	
INPUT CURRENT	No load	—	30	75	—	35	75	—	35	75	—	35	75	mA
	Full load	—	0.94	—	—	1.15	—	—	1.30	—	—	1.25	—	A
	Inhibit	—	7	8	—	3	8	—	3	8	—	3	8	mA
INPUT RIPPLE CURRENT	20MHz	—	25	50	—	20	50	—	20	50	—	20	50	mA <sub>pp</sub>
EFFICIENCY		74	76	—	76	78	—	80	83	—	81	84	—	%
SHORT CIRCUIT	Dissipation	—	—	15	—	—	15	—	—	15	—	—	15	W
	Recovery	—	1.4	6	—	1.4	5	—	1.4	5	—	1.4	5	ms
STEP LOAD RESPONSE. TRANSIENT <sup>2</sup>	50%-100%-50%	—	±125	±250	—	±200	±300	—	±250	±400	—	±350	±500	mV
		—	—	200	—	60	200	—	60	200	—	60	200	us
STEP LOAD RESPONSE. TRANSIENT RECOVERY <sup>2</sup>	16-40-16Vin	—	—	±300	—	±200	±300	—	±400	±500	—	±500	±600	mV
		—	—	300	—	—	300	—	—	300	—	—	300	us
START-UP	Delay	—	1.4	5	—	1.4	5	—	1.4	5	—	1.4	5	ms
	Overshoot(full)	—	0	50	—	0	50	—	0	120	—	0	150	mV <sub>pk</sub>
	Overshoot(no)	—	33	150	—	50	250	—	120	600	—	150	750	
Insulation Resistance	100MΩ@500VDC (input to output, any pins to case)													

#### NOTE:

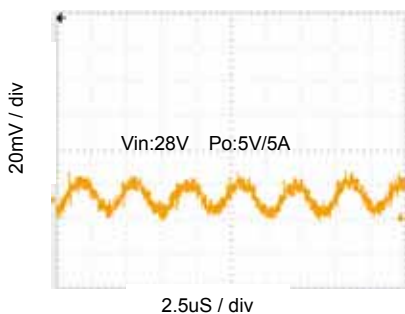
- Using tip and barrel measurement.
- Recovery time is measured from application of the transient to the point at which V<sub>out</sub> is within 1% of final value.
- Unless otherwise specified: Ta=25°, Vin=28VDC, 100% load.



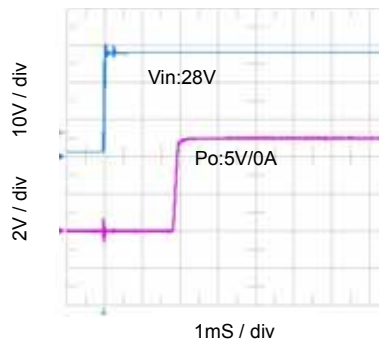


**Typical Performance Curves:**

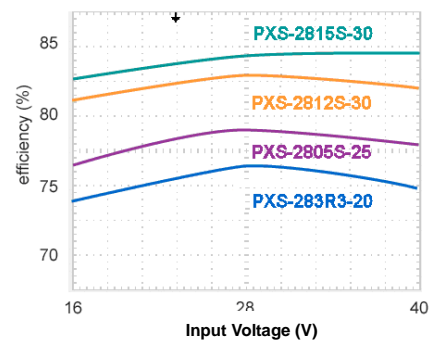
1: PXS2805S-25 ripple



2: PXS2805S-25 Turn on



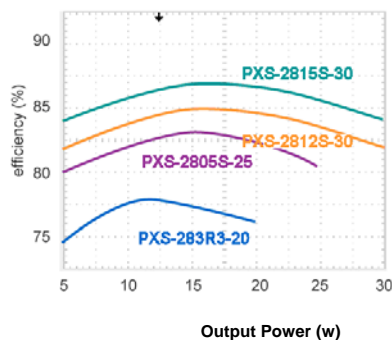
3: Efficiency



4: PXS2805S-25 Load Step 50%~100%



5: Efficiency



**APPLICATION NOTES**

**INHIBIT FUNCTION**

The INH pin is used to achieve the function of external shut down. No connection to Pin 2 is necessary for normal operation of the converter. Shut down may be implemented by simply pulling the Pin 2 below 0.3V referenced to input common.

**Over Current/Short Circuit Protection**

The PXS-28XXD-30H series of DC/DC converters has the function of over current/short circuit protection. When it is working under load fault condition, the converter will automatically activate the over current/short circuit protection and restore when the fault is removed. It is suggested that the duration of the over current/short circuit must be less than 10s, and the case temperature lower than 105°C, Otherwise, the module will be disabled.

**Ripple Voltage**

If the output V-ripple is too high for the application, it can be further suppressed by adding a filter capacitor between the Vo+ and Vo- outputs. The optimal value for this capacitor is recommended at around 50V/ 10µF with film or ceramic capacitor as preferable options.

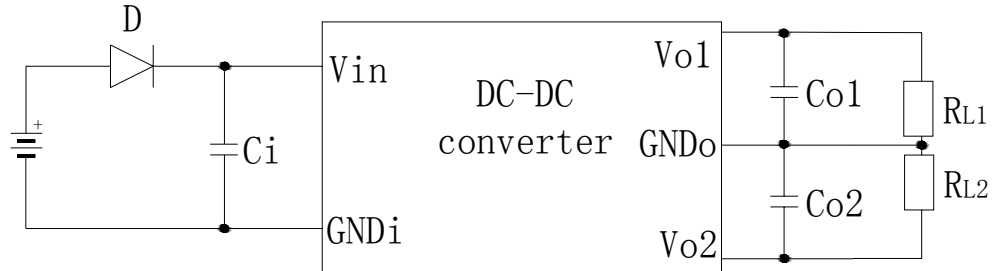
**Synchronization**

The PXS-28XXD-30H series of DC/DC converters allow the designer to match the switching frequency of the converter to the frequency of the system clock or synchronize several modules by synchronization pin. Frequency ranges from 270 to 350 KHz, the level from -0.3 to 10V, and duty cycle from 40% to 60%. Under master and slave configuration, the master module will offer ±3mA current and the slave ones ±0.5mA in maximum.

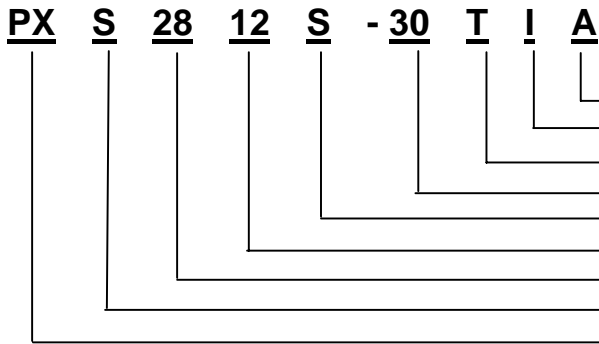


**Reverse Polarity Protection:**

To avoid reverse input connection, it is advisable to connect a diode in series with the input pin of the converter. (Shown as below)



**ORDERING INFORMATION:**



Modified  
Grade – M = MIL, H + High Rel, I = Industrial  
Case Style – Blank = standard case, T = With tabs.  
Watts = e.g. 15, 30 etc.  
Number of outputs S = Single, D = Dual, T = Triple  
Output voltage  
Nom Input Voltage – 12, 24 etc  
Blank=No seal, H = Hermetically, S = Stannic Seam  
Series Name

**Mark specification:**

Serials Number: DC 0621 001, which indicates this product has been manufactured in the 21st week of 2006, and the sequence number is 001.

**Environmental Screening**

Test item	Method	Condition	E	I
PRE-CAP Inspection	MIL-STD-883 Method 2017	---	Y	Y
Temp-Cycle	MIL-STD-883 Method 1010	-55°C to +125°C, 10 times	Y	---
Constant Acceleration	MIL-STD-883 Method 2001	500 g, Y1, 1min	Y	---
Burn-in	MIL-STD-883 Method 1015	+85°, 96h	Y	---
		+85°, 48h	---	Y
Final Electrical Test	MIL-PRF-38534	+25°	Y	Y
		+85°	Y	---
		-40°	Y	---
Final Visual Inspection	MIL-STD-883 Method 2009	---	Y	Y

