



- Designed for Cathodic Protection Applications
- Automatic Potential Control
- 90-264V or 415V 3-phase AC Input
- SMPS Topology
- IP 65 Protection when mounted in suitable cabinet
- -25°C to +60°C Ambient
- AC & DC Lightning Surge Suppression
- Comprehensive Remote Monitoring



CP SERIES



LVD2006/95/EC

\* Typical mechanical layout, actual to customer specification

### POWER SUPPLY DESIGN EXCELLENCE

The CP Series is a 120W to 480W SMPS power module system developed specifically for cathodic protection applications.

The highly efficient design incorporates a Cathodic Protection control module offering fully automatic potential control with less than 5% of output ripple at any load.

Designed for outdoor use the CP Series can be fully IP 65 protected and will operate over a wide ambient temperature range of -25°C to +60°C.

The design utilises a rugged, modular approach with AC and DC lightning protection ensuring at least a 10 year operational life when properly maintained.

STANDARD MODEL *	OUTPUT VOLTAGE	OUTPUT CURRENT	OUTPUT POWER	INPUT VOLTAGE
CP120-090-240	24V	5A	120W	90-264VAC
CP240-090-240	24V	10A	240W	90-264VAC
CP480-090-240	24V	20A	480W	90-264VAC

\* add /3P to specify 3 phase 415VAC input, which requires a system neutral.



### SPECIFICATIONS

INPUT	
Voltage	90-264VAC single phase   415VAC $\pm$ 10% 3-phase with neutral
Frequency	50-60Hz

OUTPUT	
Voltage	24VDC
Current	5A, 10A or 20A
Setting tolerance	$\pm$ 2%
Output power	120W, 240W or 480W max. continuous
Efficiency	>80%
Output ripple	<5% p-p

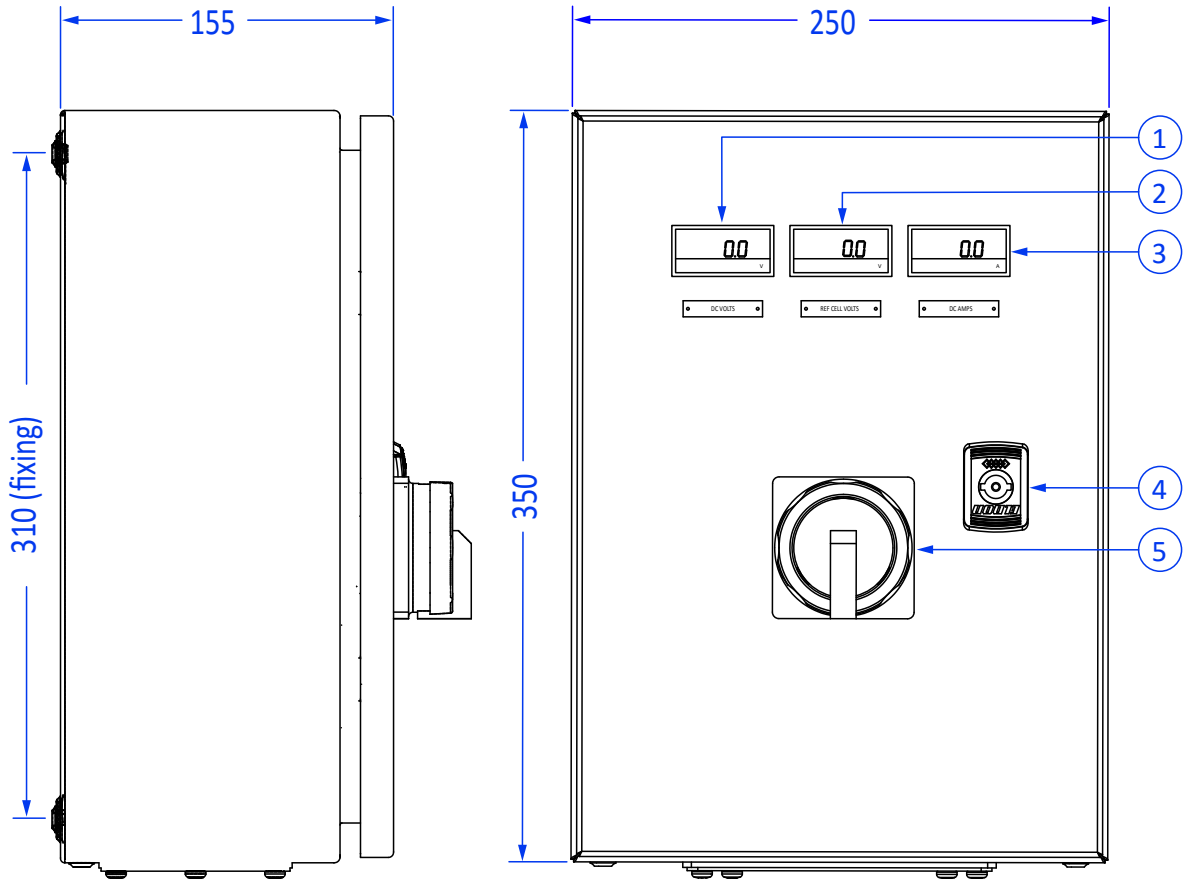
CONTROL & MONITORING	
CP Control	Automatic Potential: Input Impedance - >10M $\Omega$ on measurement circuit Bi-Polar Input Range - -1000mV to +400mV
Remote Monitoring	DC output voltage, DC output current, Fault condition (common mode alarm)

SAFETY	
Standards	Complies with EN60950
Earthing	Chassis to be grounded
Isolation	Input to ground - 2200VDC Input to output/ground - 2200VDC Output to ground - 500VDC

ENVIRONMENTAL	
Cooling	Natural Convection
Operating Temperature	Full Power -25°C to +45°C, derating linearly to 50% power from +45°C to +60°C
EMC	AC and DC lightning surge protection
Water Ingress	Up to IP 65 when suitably installed
Environment	Outdoor

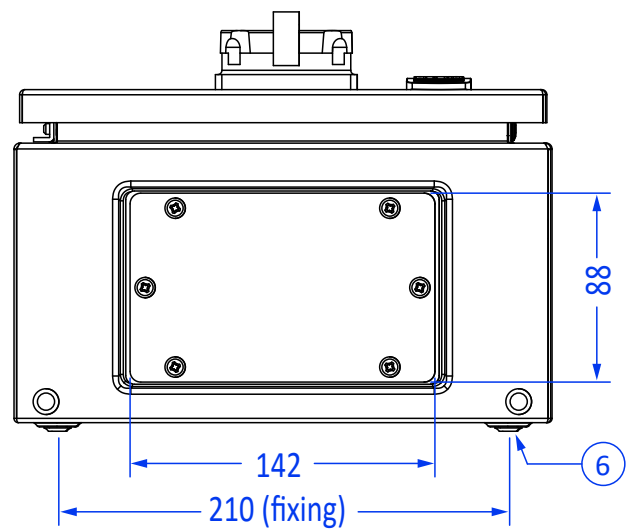


## TYPICAL MECHANICALS



**CP SERIES**

ITEM	DESCRIPTION
1	OUTPUT VOLTAGE METER
2	REFERENCE ELECTRODE METER
3	OUTPUT CURRENT METER
4	LOCK
5	ISOLATOR 25A 11kW IP65 PANEL MOUNT LOCKABLE
6	REAR M8 FIXING HOLES 4 OFF 310 X 210



### Powerstax Europe

Units 5-6 Heron Avenue  
Wickford  
Essex  
SS11 8DL, UK

### Powerstax North America

12804 W. Santa Ynez Drive  
Sun City West  
Arizona 85375  
USA

Information and specifications contained in this data sheet are believed to be correct at the time of publication. However, Powerstax accept no responsibility for consequences arising from printing errors or inaccuracies. Specifications are subject to change without notice.